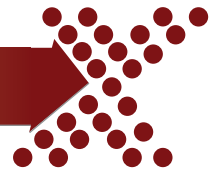


# DVP1262 Presentation Video Processor

DEXON's 4K60 Video Processor, 12x2



**12x HDMI and 2x USB-C inputs**  
**2x HDMI outputs, 4K60 4:4:4**  
**PIP of 6 live inputs over each output**  
**Real time up- and down-scaling**  
**Integrated media player**  
**Display of multiple IP cameras**

## Video Processor

The DVP1262 is a high quality, intelligent video processor handling 12x HDMI, 2x USB-C inputs and driving 2xHDMI output signals. Professional, real time scaling-makes the product an essential part of AV projects where 2x6 different input signals must be presented on 2 monitors or over a video wall surface. Additionally the first output can be used as main display while the second as a preview output. The product contains an internal processor with unique services as displaying multiple IP camera streams, working as media player, web browser and vnc PC input source visualizer. They serve boardroom, show room, LED wall, reception, digital signage or conference room applications.

## Main Features

DVP1262 video processor features:

- Supports 12x HDMI inputs, up to 4K60 4:4:4 resolution
- Handles 2x USB-C inputs
- Drives 2x HDMI 4K60 4:4:4 outputs
- Controls 2x1 video wall or 1x output and 1x preview
- PIP of 6 live inputs over each output
- Attractive transition effects, cross fade switching
- Integrated media player to display live video contents
- Full HDCP support for input and output connections
- OSD and window frame
- Embedded and separate analogue audio switching
- RS-232C and RJ45 LAN connectors for remote control
- HTML5 based, easy-to-use graphics user interface for configuration, layout management and scenario handling

**DEXON Systems Ltd.**

E-mail: [sales@dexonsystems.com](mailto:sales@dexonsystems.com) Web: <http://www.dexonsystems.com>

Phone: +36 23 422 804 Fax: +36 23 445 199 Address: Baross u. 165. H-2040 Budaörs, Hungary

Copyright © DEXON Systems Ltd. All Rights Reserved

# Main Features

## Input Signals

- Digital HDMI with HDCP
- USB-C 4-lane DP Alt mode with HDCP
- USB-C Power delivery
- L, R audio

## Input Signal Specification

- HDMI 2.0, YUV 4:4:4, 4:2:2, 4:2:0
- HDCP 2.3 640x480 - 3840x2160 60Hz

## Output Signals

- HDMI 2.0 640x480 - 3840x2160 60Hz
- HDCP 2.3 640x480 - 3840x2160 60Hz
- L, R audio

## Output Signal Specification

- HDMI 2.0, YUV 4:4:4, 4:2:2
- HDCP 2.3 640x480 - 3840x2160 60Hz

## Audio Handling

- R, L analogue audio inputs and outputs
- Audio embedding and de-embedding

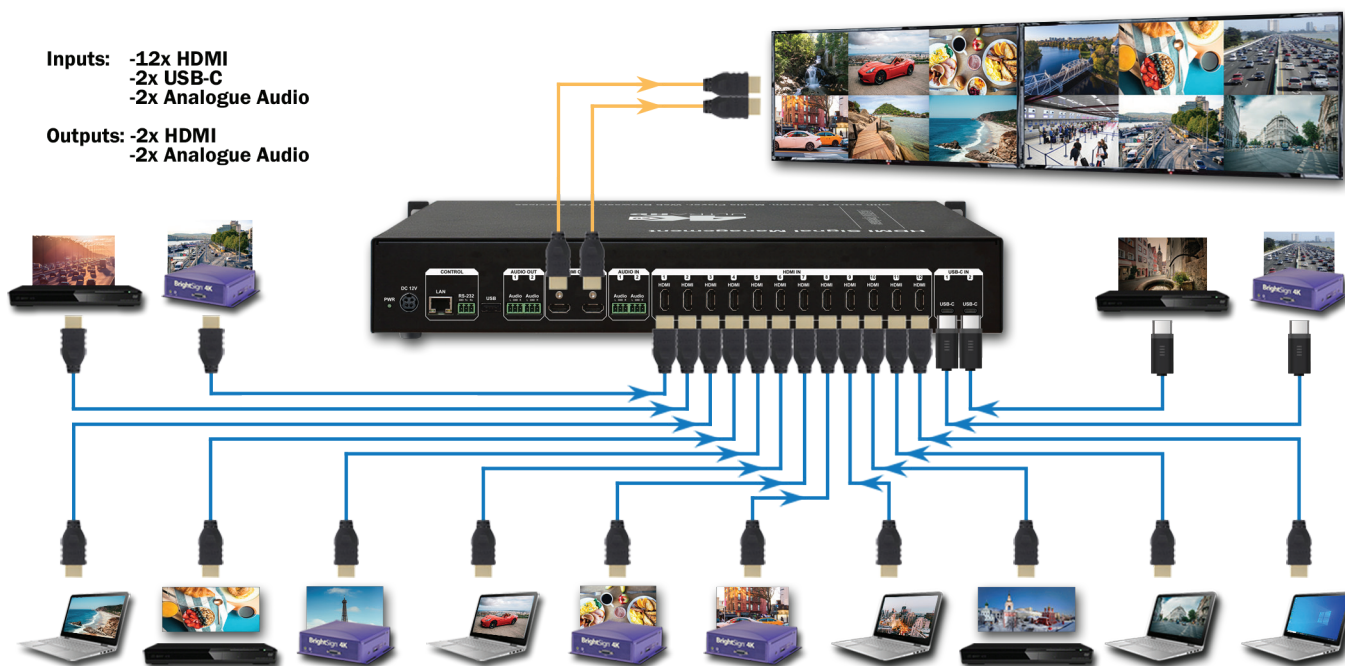
## Setup and Configuration

- Easy-to-use setup through push buttons and LCD panel
- LAN connection for remote setup
- RS-232C control

## Application

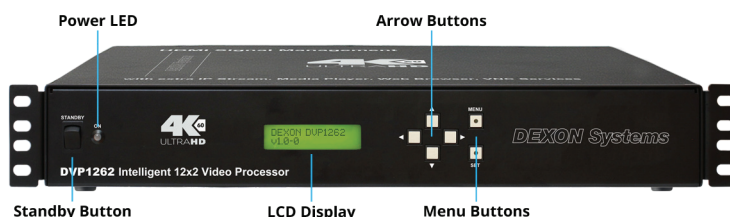
**Inputs:** -12x HDMI  
-2x USB-C  
-2x Analogue Audio

**Outputs:** -2x HDMI  
-2x Analogue Audio

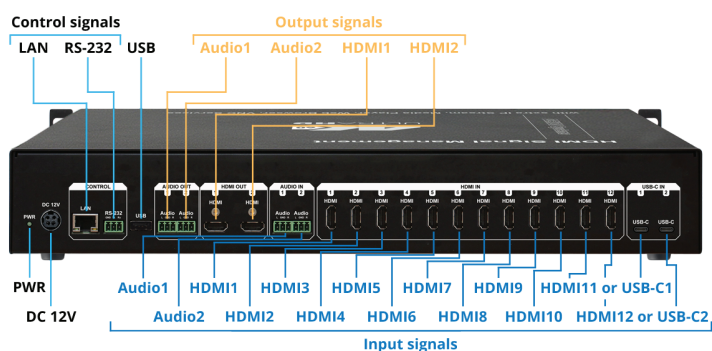


## System Architecture

### DVP1262 Front Panel



### DVP1262 Back Panel



## General

- 19" rack-mountable enclosure
- Dimensions: 435 x 299 x 66 (mm)
- Power consumption: 100W
- Weight: 2.5kg

**DEXON Systems Ltd.**

E-mail: [sales@dexonsystems.com](mailto:sales@dexonsystems.com) Web: <http://www.dexonsystems.com>  
 Phone: +36 23 422 804 Fax: +36 23 445 199 Address: Baross u. 165. H-2040 Budaörs, Hungary  
 Copyright © DEXON Systems Ltd. All Rights Reserved